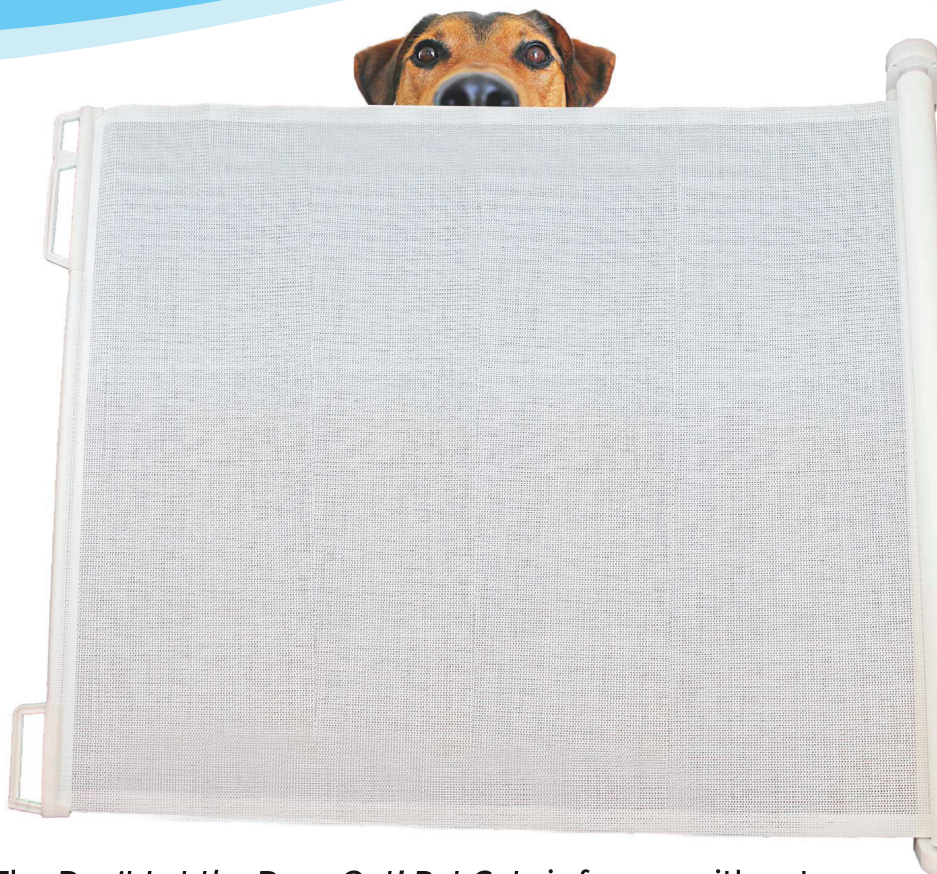


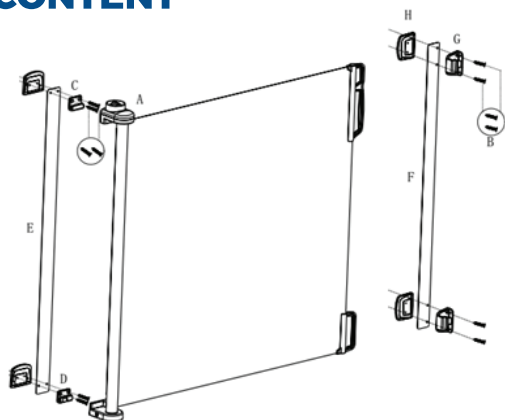
**Walkin'® Pets**  
by HandicappedPets.com

## **Don't Let the Dogs Out! Pet Gate** **Retractable Safety Gate Instructions**



The *Don't Let the Dogs Out! Pet Gate* is for use with pets and is not approved for use with children.

## CONTENT



- A - Gate Assembly
- B - 8x Screws & Plugs
- C - Upper Gate Mount
- D - Lower Gate Mount
- E - Guide 1
- F - Guide 2
- G - 2x Catch Mounts
- H - Wall Spacers

## INSTALLATION

### WITHOUT SKIRTING/BASEBOARD:

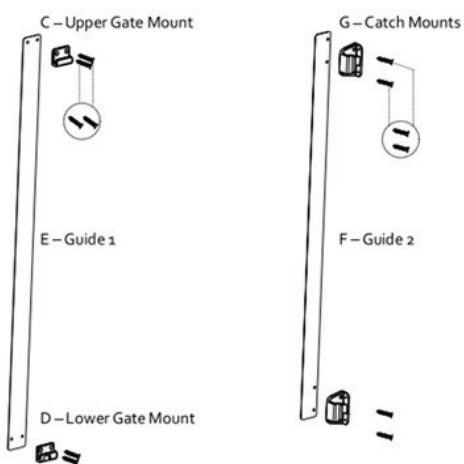
To install you will need a Phillips screwdriver, pencil, level and drill.

1. Place Guide 1 on the surface you want the Gate Assembly to be mounted to with the bottom of the guide flush with the floor, use a level to ensure the guide is straight. Note: leave 2cm between guide and the edge of the opening to ensure gate wont overhang edge. Repeat for Guide 2 on the opposite side of opening.

2. Use pencil to mark center of each hole; then remove both Guides.

3. Drill a 3mm pilot hole at each pencil mark for timber surfaces and for hard wall drill a 6mm hole and insert plugs. Note for all other surfaces use suitable fixings.

4. Align each mount in its correct position, use a Phillips screwdriver to tighten screws till each mount is secure.

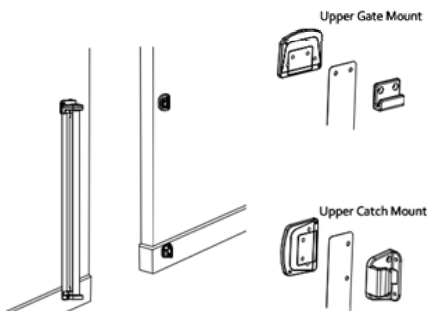


## WITH SKIRTING/BASEBOARD:

To help correct for the offset of a skirting board or baseboard spacers will be required. Only use spacers for the Upper Gate mount and the Upper Catch (parts C & G). Measure the width of your skirting/baseboard and use the closest number of spacers to fit this width.

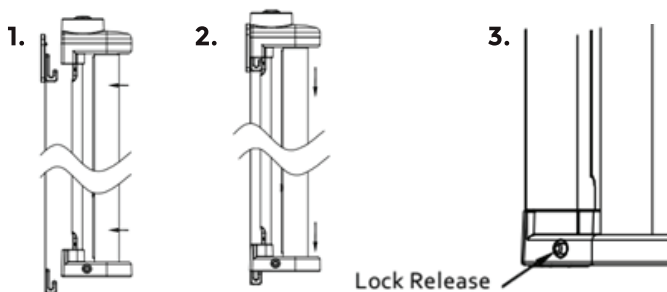
To install you will need a Phillips screwdriver, pencil, level and drill.

1. Place Guide 1 on the surface you want the Gate Assembly to be mounted to with the bottom of the guide flush with the floor, use a level to ensure the guide is straight. Note: leave 2cm between guide and the edge of the opening to ensure gate won't overhang edge. Repeat for Guide 2 on the opposite side of opening.
2. Use pencil to mark center of each hole; then remove both Guides.
3. Drill a 3mm pilot hole at each pencil mark for timber surfaces and for hardwall drill a 6mm hole and insert plugs. Note for all other surfaces use suitable fixings.
4. Align each mount in its correct position, use a Phillips screwdriver to tighten screws till each mount is secure.



## ASSEMBLY

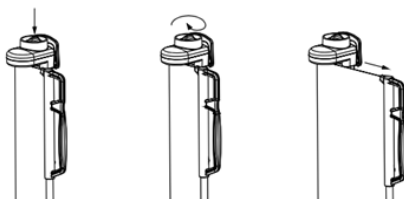
1. Attach Gate Assembly to the Gate Mounts by aligning the gate directly above the mounts and sliding straight down over mounts.
2. Check that the Gate assembly is flush against the wall and is locked firmly in place.
3. To remove gate from the mounts push and hold the lock release button while sliding the gate upwards.



## OPERATION

### TO EXTEND GATE:

1. To unlock the mechanism, simply push down and turn the button clockwise, at the same time grasp the handle and pull evenly.



2. Release the button and continue pulling the handle toward the catches.

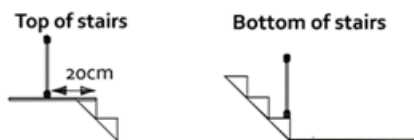
3. Hook the handle onto the catches ensuring both the top and bottom are aligned.

Note: When gate is retracting always hold the handle and guide the gate evenly back into its original position. Never let go of handle when gate is retracting.

## WARNING: PLEASE READ CAREFULLY

The ***Don't Let the Dogs Out! Pet Gate*** is for use with pets and is not approved for use with children.

- Incorrect fitting or positioning of the product can be dangerous.
- Do not use the product if any components are damaged or missing.
- The product must not be fitted across windows.
- Never install this product on glass doors. Install this product against reliable doors or walls.
- If the product is used at the top of the stairs, it should be positioned 20cm back from the top step.
- If the product is used at the bottom of the stairs, it should be positioned on the first step.
- Before using this product, please check whether this product is loose and whether it needs to be tightened.
- Make sure the product to be installed is straight and flat on the floor.
- This product is intended for use with small to medium pets.
- To prevent serious injury or death, securely install gate or enclosure and use according to manufacturer's instructions.
- Use only with the locking / latching mechanism securely engaged.



## CLEANING AND MAINTENANCE

- Using a soft, damp cloth, simply wipe gate, and dry after cleaning. Do not use chemical or abrasive cleaners.
- Regularly check gate is in working order and mounts are tight.

The ***Don't Let the Dogs Out! Pet Gate*** is for use with pets and is not approved for use with children.